

WATER CONTROL UNIT

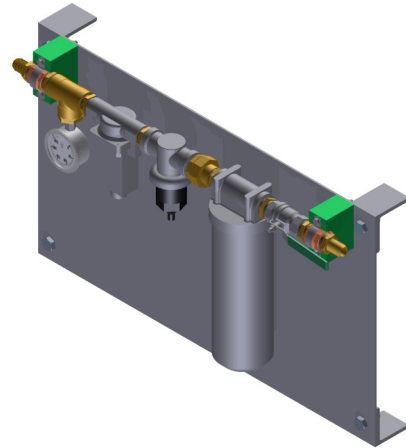
The range of ConvaTech water control units assists with delivering the benefits of a superior wet cleaning system.

They are designed to control water quality, pressure and enhance cleaning performance of any belt cleaning system. Water spray systems improve cleaner performance by up to 75% over dry systems and the water control manifold plays a huge part in this.

Balancing cost effectiveness with long life functionality makes this the ideal choice for your purpose.

Application

All wet belt cleaning systems to a maximum pressure of 1380 kPa.



-  Proven Performance
-  Quality Product
-  Flexibility in Design
-  On-time Delivery
-  Australian Owned

| FEATURES | BENEFITS |
|---|---|
| Automatically controls water flow to the spray nozzles | = Minimises water added to product = Reduces maintenance |
| Contributes to performance enhancement of all conveyor belt cleaning systems | = Improves cleaning performance by up to 75% = Prolongs service life of conveyor belt and cleaner tips |
| Manufactured with a high-grade stainless steel reusable water filtration device | = Prevents build up/blockage of nozzles = Allows cleaning to be completed during routine maintenance |
| Integrates with existing conveyor drive controls or PLC system | = Ensures spray operation is controlled in line with client requirements |
| Available in a range of solenoid types and voltages | = Ensures it suits site electrical requirements |
| Designed with an LED indicator on all standard solenoids | = Alerts any power fault problem |
| Water filters available in 150uM and 560uM | = Minimises spray blockages |
| Quality assured product | = All panels are inspected and pressure tested following assembly |

ConvaTech®

Total Conveyor Maintenance

| Item Code | Description | Unit | Weight (kg) |
|-----------|--------------------------|------|-------------|
| 18-10-001 | Spray Water Control Unit | Each | 11.8 |

New South Wales

ABN 19 002 924 307

PO Box 126, HRMC NSW 2310
3-7 Ironbark Close, Warabrook NSW 2304

P: 02 4935 0200

E: sales@convatech.com.au

Queensland

ABN 50 119 833 831

PO Box 8, Mackay QLD 4740
25-29 Interlink Court, Mackay QLD 4740

P: 07 4953 9100

E: salesqld@convatech.com.au

Western Australia

ABN 19 002 924 307

Unit 1/61 Mulgool Road
Malaga WA 6090

P: 08 9203 1111

E: sales@convatech.com.au

In partnership with

TSGlobal®

Leaders in Conveyor Products



www.convatech.com.au