

✓ DUAL STABILISING ROLLER ASSEMBLY

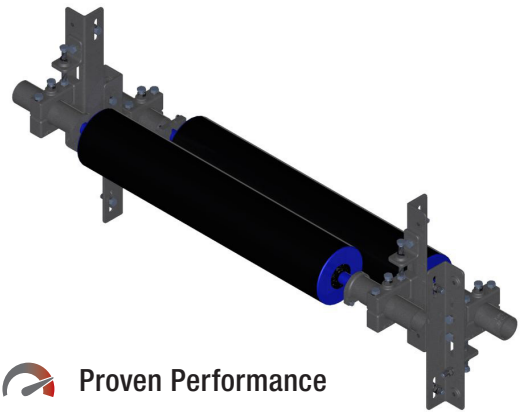
The ConvaTech dual stabilising roller assembly kit is guaranteed to provide a flat and stable surface that optimises and maintains cleaner tip contact and performance.

This is achieved by increasing belt stability, maintaining tip-to-belt contact, adding flexibility and generally improving belt cleaning efficiency by reducing belt vibration and harmonics.

Balancing cost effectiveness with long life functionality makes this the ideal choice for your application.

Application

All belt cleaning systems.



-  Proven Performance
-  Quality Product
-  Flexibility in Design
-  On-time Delivery
-  Australian Owned

FEATURES	BENEFITS
Designed with roller locking plate	<ul style="list-style-type: none"> = Retains rollers in position during operations or when belt tension is removed = Reduces potential fall safety hazards
Manufactured from high grade stainless steel	<ul style="list-style-type: none"> = Increases longevity in structural components
Designed with adjustable roller mounts	<ul style="list-style-type: none"> = Accommodates all site rollers = Allows rollers to be backed away from the belt during belt change out
Assembly can be retrofitted to any conveyor	<ul style="list-style-type: none"> = Guaranteed to suit our clients individual needs
Stabilises conveyor belt	<ul style="list-style-type: none"> = Promotes optimum performance of secondary belt cleaners

ConvaTech®

Total Conveyor Maintenance

Item Code	Description	Unit	Weight (kg)
22-11-001	Stabilising Roller Mounting Kit suit 14 AF Slots	Each	12.0
22-11-002	Stabilising Roller Mounting Kit suit 22 AF Slots	Each	12.0

**AF slot width can be customised to suit most site rollers.*

New South Wales

ABN 19 002 924 307

PO Box 126, HRMC NSW 2310
3-7 Ironbark Close, Warabrook NSW 2304

P: 02 4935 0200

E: sales@convatech.com.au

Queensland

ABN 50 119 833 831

PO Box 8, Mackay QLD 4740
25-29 Interlink Court, Mackay QLD 4740

P: 07 4953 9100

E: salesqld@convatech.com.au

Western Australia

ABN 19 002 924 307

Unit 1/61 Mulgool Road
Malaga WA 6090

P: 08 9203 1111

E: sales@convatech.com.au

In partnership with

TSGlobal®

Leaders in Conveyor Products



www.convatech.com.au