

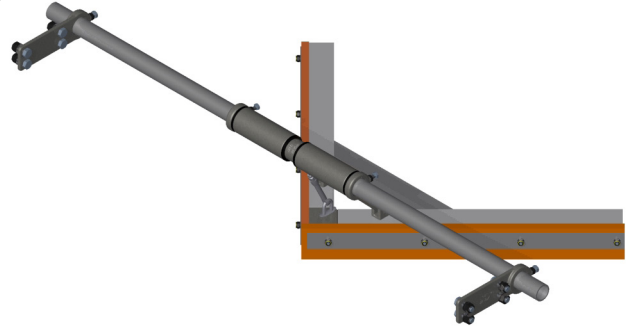
✓ FLOATING VEE PLOUGH

The range of market leading ConvaTech floating vee ploughs are proven to protect and increase the life of your capital assets including pulleys and conveyor belt. This is achieved by removing displaced material on the return side of the conveyor belt prior to entering the pulley. It also improves tracking by reducing build-up on the pulley.

Balancing cost effectiveness with long life functionality makes this the ideal choice for your application.

Application

Prior to drive, bend, take-up and tail pulleys on single direction conveyor.



-  Proven Performance
-  Quality Product
-  Flexibility in Design
-  On-time Delivery
-  Australian Owned

FEATURES	BENEFITS
Manufactured from high grade stainless steel	= Increased longevity in structural components
Available in standard and heavy duty	= Manufactured to fit your application = Cost effective option
Components are interchangeable with most brands	= Cost savings achieved without the need to replace the plough
Plough floats with belt movement	= Continually self-adjusts to optimise performance
Ability to supply blades with different wear characteristics to suit your specific applications	= Increases life expectancy of polyurethane blades = Optimises performance due to correct blade selection

Item Code Natural Blade	Item Code FRAS Blade	Description	Pole Length (mm)	Pole Diameter (mm)	Rear of Plough Width (mm)	Weight (kg)
19-10-001	19-11-001	Plough Floating Vee 0450	1200	48	497	21.5
19-10-002	19-11-002	Plough Floating Vee 0600	1200	48	660	23.6
19-10-003	19-11-003	Plough Floating Vee 0750	1200	48	841	25.6
19-10-004	19-11-004	Plough Floating Vee 0900	1500	48	983	28.8
19-10-005	19-11-005	Plough Floating Vee 1050	1800	48	1188	32.4
19-10-006	19-11-006	Plough Floating Vee 1200	1800	48	1316	35
19-10-007	19-11-007	Plough Floating Vee 1400	2150	48	1556	39.5
19-10-008	19-11-008	Plough Floating Vee 1500	2150	48	1648	40.7
19-10-009	19-11-009	Plough Floating Vee 1600	2150	48	1760	43.1
19-10-010	19-11-010	Plough Floating Vee 1800	2500	48	1981	47.5
19-12-001	19-13-001	Plough H/Duty Floating Vee 1200	1800	73	1317	65.2
19-12-002	19-13-002	Plough H/Duty Floating Vee 1400	2150	73	1558	73.2
19-12-003	19-13-003	Plough H/Duty Floating Vee 1500	2150	73	1648	75.7
19-12-004	19-13-004	Plough H/Duty Floating Vee 1600	2150	73	1760	77.1
19-12-005	19-13-005	Plough H/Duty Floating Vee 1800	2500	73	1986	85.9
19-12-006	19-13-006	Plough H/Duty Floating Vee 2000	2500	73	2198	89.9
19-12-007	19-13-007	Plough H/Duty Floating Vee 2200	2800	73	2418	96.4
19-12-008	19-13-008	Plough H/Duty Floating Vee 2400	3000	73	2644	102.7
19-12-009	19-13-009	Plough H/Duty Floating Vee 2500	3000	73	2750	106

New South Wales

ABN 19 002 924 307

PO Box 126, HRMC NSW 2310
3-7 Ironbark Close, Warabrook NSW 2304

P: 02 4935 0200

E: sales@convatech.com.au

Queensland

ABN 50 119 833 831

PO Box 8, Mackay QLD 4740
25-29 Interlink Court, Mackay QLD 4740

P: 07 4953 9100

E: salesqld@convatech.com.au

Western Australia

ABN 19 002 924 307

Unit 1/61 Mulgool Road
Malaga WA 6090

P: 08 9203 1111

E: sales@convatech.com.au

In partnership with

TSGlobal®

Leaders in Conveyor Products



www.convatech.com.au