

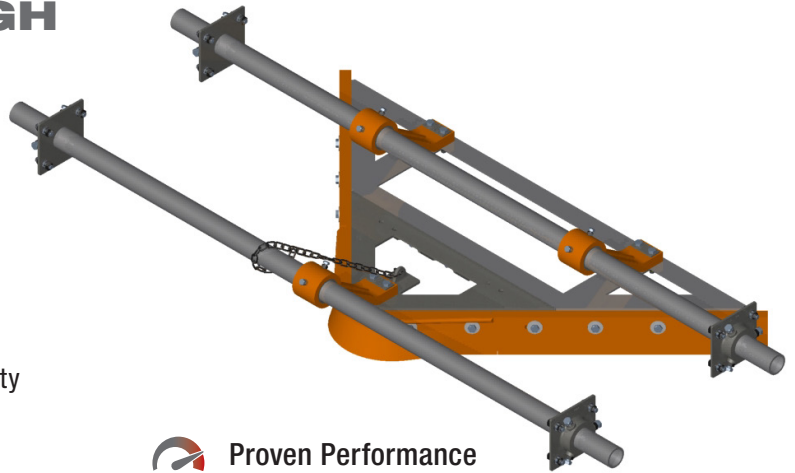
✓ TORSION VEE PLOUGH

The range of ConvaTech ploughs are proven to protect and increase the life of your capital assets including pulleys and conveyor belt. This is achieved by removing displaced material on the return side of the conveyor belt prior to entering the pulley. It also improves tracking by reducing build-up on the pulley.

Balancing cost effectiveness with long life functionality makes this the ideal choice for your application.

Application

Installed prior to drive, bend, take-up and tail pulleys on single direction conveyors only.



-  Proven Performance
-  Quality Product
-  Flexibility in Design
-  On-time Delivery
-  Australian Owned

FEATURES	BENEFITS
Manufactured with a Bullnose	<ul style="list-style-type: none"> = Increases longevity of nose section = Reduces potential of damage to belt
Manufactured from high grade stainless steel	= Increases longevity in structural components
Supplied with dual pole configuration	= Parallelogram formed between poles, link arms and body provides fail-safe integrity
Available in standard and heavy duty	= Manufactured to fit your application
Components are interchangeable with most brands	= Cost savings achieved without the need to replace the plough
Specific design to allow modular assembly and installation	<ul style="list-style-type: none"> = Allows easier access into tight fitting areas = Reduces manual handling hazards
Design incorporates a tension strap that applies a light tension to the belt	= Ensures continuous contact with the belt to optimise performance
Ability to supply blades with different wear characteristics to suit your specific applications	<ul style="list-style-type: none"> = Increases life expectancy of polyurethane blades = Optimises performance due to correct blade selection

Item Code Nautral Blades	Item Code FRAS Blades	Description	Pole Length (mm)	Pole Diameter (mm)	Rear of Plough Width (mm)	Weight (kg)
23-10-001	23-11-001	Plough Torsion Vee 0600	1150	48	723	35
23-10-002	23-11-002	Plough Torsion Vee 0750	1300	48	920	41
23-10-003	23-11-003	Plough Torsion Vee 0900	1500	48	1117	50
23-10-004	23-11-004	Plough Torsion Vee 1050	1700	48	1214	53
23-10-005	23-11-005	Plough Torsion Vee 1200	1950	48	1313	57
23-10-006	23-11-006	Plough Torsion Vee 1400	2100	48	1510	65
23-10-007	23-11-007	Plough Torsion Vee 1500 - 1600	2500	60	1706	76
23-10-008	23-11-008	Plough Torsion Vee 1800	2700	60	1903	82
23-10-009	23-11-009	Plough Torsion Vee 2000	3000	60	2099	87
23-10-010	23-11-010	Plough Torsion Vee 2200	3200	60	2296	95
23-10-011	23-11-011	Plough Torsion Vee 2400	3400	60	2481	100
23-10-012	23-11-012	Plough Torsion Vee 2600	3600	60	2600	110
23-12-001	23-13-001	Plough H/Duty Torsion Vee 0900	1500	73	1001	91.4
23-12-002	23-13-002	Plough H/Duty Torsion Vee 1050	1700	73	1201	106
23-12-003	23-13-003	Plough H/Duty Torsion Vee 1200	1950	73	1325	113.4
23-12-004	23-13-004	Plough H/Duty Torsion Vee 1400	2100	73	1481	127.1
23-12-005	23-13-005	Plough H/Duty Torsion Vee 1500	2500	73	1618	138.7
23-12-006	23-13-006	Plough H/Duty Torsion Vee 1600	2500	73	1761	142.2
23-12-007	23-13-007	Plough H/Duty Torsion Vee 1800	2700	73	1930	152
23-12-008	23-13-008	Plough H/Duty Torsion Vee 2000	3000	73	2130	163.3
23-12-009	23-13-009	Plough H/Duty Torsion Vee 2200	3200	73	2331	175
23-12-010	23-13-0010	Plough H/Duty Torsion Vee 2400	3400	73	2531	186
23-12-011	23-13-011	Plough H/Duty Torsion Vee 2600	3400	73	2630	188.9
23-12-012	23-13-012	Plough H/Duty Torsion Vee 2800	3900	73	2820	188.9

New South Wales

ABN 19 002 924 307

PO Box 126, HRMC NSW 2310
3-7 Ironbark Close, Warabrook NSW 2304

P: 02 4935 0200

E: sales@convatech.com.au

Queensland

ABN 50 119 833 831

PO Box 8, Mackay QLD 4740
25-29 Interlink Court, Mackay QLD 4740

P: 07 4953 9100

E: salesqld@convatech.com.au

Western Australia

ABN 19 002 924 307

Unit 1/61 Mulgool Road
Malaga WA 6090

P: 08 9203 1111

E: sales@convatech.com.au

In partnership with

TSGlobal®

Leaders in Conveyor Products



www.convatech.com.au