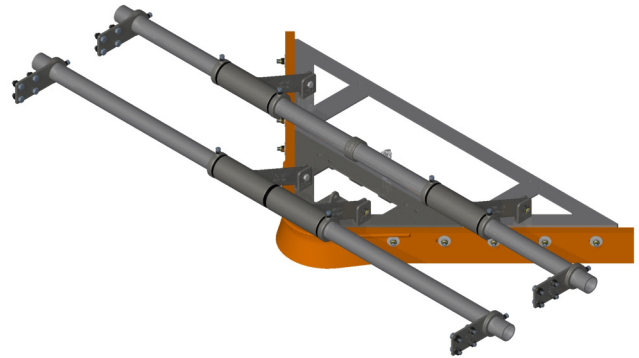


✓ FLOATING FAILSAFE BULLNOSE VEE PLOUGH

The range of ConvaTech ploughs are proven to protect and increase the life of your capital assets including pulleys and conveyor belt. This is achieved by removing displaced material on the return side of the conveyor belt prior to entering the pulley. It also improves tracking by reducing build-up on the pulley.

Balancing cost effectiveness with long life functionality makes this the ideal choice for your application.



Application

Prior to drive, bend, take-up and tail pulley on single direction conveyors only.

-  Proven Performance
-  Quality Product
-  Flexibility in Design
-  On-time Delivery
-  Australian Owned

FEATURES	BENEFITS
Manufactured with a bullnose	<ul style="list-style-type: none"> = Increases longevity of nose section = Reduces potential of plough picking up on damaged belt
Manufactured from high grade stainless steel	= Increased longevity in structural components
Supplied with dual pole configuration	= The geometry formed between poles, link arms and body provides fail-safe integrity
Available in standard and heavy duty	<ul style="list-style-type: none"> = Manufactured to fit your application = Cost effective option
Components are interchangeable with most brands	= Cost savings achieved without the need to replace the plough
Specific design to allow modular assembly and installation	<ul style="list-style-type: none"> = Allows easier access into tight fitting areas = Reduces manual handling hazards
Plough floats with belt movement	= Continually self-adjusts to optimise performance
Ability to supply blades with different wear characteristics to suit your specific applications	<ul style="list-style-type: none"> = Increases life expectancy of polyurethane blades = Optimises performance due to correct blade selection

Item Code Natural Blades	Item Code FRAS Blades	Description	Frame Length (mm)	Pole Diameter (mm)	Rear of Plough Width (mm)	Weight (kg)
19-20-001	19-24-001	Plough Floating Failsafe Bullnose Vee 0900	1500	48	983	57.5
19-20-002	19-24-002	Plough Floating Failsafe Bullnose Vee 1050	1800	48	1188	62.4
19-20-003	19-24-003	Plough Floating Failsafe Bullnose Vee 1200	1800	48	1316	63.7
19-20-004	19-24-004	Plough Floating Failsafe Bullnose Vee 1400	2150	48	1556	70.9
19-20-005	19-24-005	Plough Floating Failsafe Bullnose Vee 1500	2150	48	1648	72.1
19-20-006	19-24-006	Plough Floating Failsafe Bullnose Vee 1600	2150	48	1760	74.5
19-20-007	19-24-007	Plough Floating Failsafe Bullnose Vee 1800	2500	48	1981	79.9
19-19-001	19-21-001	Plough H/Duty Floating Failsafe Bullnose Vee 1200	1800	73	1317	161
19-19-002	19-21-002	Plough H/Duty Floating Failsafe Bullnose Vee 1400	2150	73	1558	165
19-19-003	19-21-003	Plough H/Duty Floating Failsafe Bullnose Vee 1500	2150	73	1648	116
19-19-004	19-21-004	Plough H/Duty Floating Failsafe Bullnose Vee 1600	2150	73	1760	118
19-19-005	19-21-005	Plough H/Duty Floating Failsafe Bullnose Vee 1800	2500	73	1986	130
19-19-006	19-21-006	Plough H/Duty Floating Failsafe Bullnose Vee 2000	2500	73	2198	134
19-19-007	19-21-007	Plough H/Duty Floating Failsafe Bullnose Vee 2200	2800	73	2418	143
19-19-008	19-21-008	Plough H/Duty Floating Failsafe Bullnose Vee 2400	3000	73	2644	151
19-19-009	19-21-009	Plough H/Duty Floating Failsafe Bullnose Vee 2500	3000	73	2750	155

New South Wales

ABN 19 002 924 307

PO Box 126, HRMC NSW 2310
3-7 Ironbark Close, Warabrook NSW 2304

P: 02 4935 0200

E: sales@convatech.com.au

Queensland

ABN 50 119 833 831

PO Box 8, Mackay QLD 4740
25-29 Interlink Court, Mackay QLD 4740

P: 07 4953 9100

E: salesqld@convatech.com.au

Western Australia

ABN 19 002 924 307

Unit 1/61 Mulgool Road
Malaga WA 6090

P: 08 9203 1111

E: sales@convatech.com.au

In partnership with

TSGlobal®

Leaders in Conveyor Products



www.convatech.com.au