

STANDARD DUTY TRACKERS

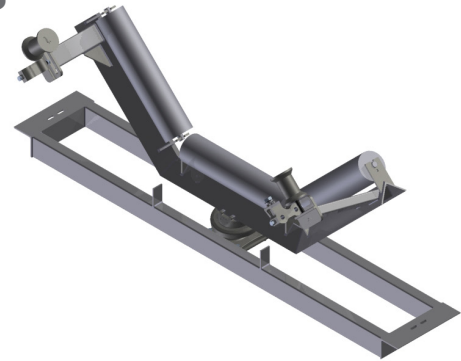
The range of ConvaTech standard duty trackers are guaranteed to protect and increase the longevity of the conveyor belt by ensuring your belt tracks true.

Our tracker design focuses on improving conveyor performance. This is achieved by reducing maintenance downtime, increasing productivity attributed to belt tracking issues and minimising spillage around the head transition and loading areas.

Balancing cost effectiveness with long life functionality makes heavy duty trackers the ideal choice for your materials.

Application

Suitable for single direction conveyor belts up to 1400mm for coal or similar applications.



-  Proven Performance
-  Quality Product
-  Flexibility in Design
-  On-time Delivery
-  Australian Owned

FEATURES	BENEFITS
Actively corrects belt tracking issues	<ul style="list-style-type: none"> = Minimises damage to belt = Eliminates the need to physically adjust
Manufactured from high grade stainless steel	<ul style="list-style-type: none"> = Improves structural integrity and longevity
Pivots on a thrust plate	<ul style="list-style-type: none"> = Increases longevity = Ensures continual free flowing operation = Eliminates the need for greasing = Minimises potential bearing failure
Designed to allow modular assembly and installation	<ul style="list-style-type: none"> = Allows easier access into tight fitting areas = Reduces manual handling hazards
Custom made to suit specific conveyors	<ul style="list-style-type: none"> = Ensures unit will bolt directly onto structure without the need to modify = Eliminates hazards associated with site modifications
Robust design	<ul style="list-style-type: none"> = Provides structural integrity in trying applications
Designed to accommodate site rollers	<ul style="list-style-type: none"> = Utilising existing site roller stock
Supplied with 100mm diameter heavy duty servo rollers	<ul style="list-style-type: none"> = Ensure long life under extreme conditions = Minimises risk of belt damage

Item Code	Description	Unit	Weight (kg)
50-20-001	TS Belt Tracker 1 Roll Flat Return 0650	Each	70.0
50-20-002	TS Belt Tracker 1 Roll Flat Return 0750	Each	73.0
50-20-003	TS Belt Tracker 1 Roll Flat Return 0900	Each	76.0
50-20-004	TS Belt Tracker 1 Roll Flat Return 1050	Each	79.0
50-20-005	TS Belt Tracker 1 Roll Flat Return 1200	Each	84.0
50-20-021	TS Belt Tracker 1 Roll Flat Return 1400	Each	89.0
50-21-001	TS Belt Tracker 2 Roll Vee Return 0900	Each	80.0
50-21-002	TS Belt Tracker 2 Roll Vee Return 1050	Each	84.0
50-21-003	TS Belt Tracker 2 Roll Vee Return 1200	Each	90.0
50-21-021	TS Belt Tracker 2 Roll Vee Return 1400	Each	95.0
50-22-001	TS Belt Tracker 3 Roll Trough 0650	Each	70.0
50-22-002	TS Belt Tracker 3 Roll Trough 0750	Each	73.0
50-22-003	TS Belt Tracker 3 Roll Trough 0900	Each	76.0
50-22-004	TS Belt Tracker 3 Roll Trough 1050	Each	79.0
50-22-005	TS Belt Tracker 3 Roll Trough 1200	Each	84.0
50-22-021	TS Belt Tracker 3 Roll Trough 1400	Each	89.0

New South Wales

ABN 19 002 924 307

PO Box 126, HRMC NSW 2310
3-7 Ironbark Close, Warabrook NSW 2304

P: 02 4935 0200

E: sales@convatech.com.au

Queensland

ABN 50 119 833 831

PO Box 8, Mackay QLD 4740
25-29 Interlink Court, Mackay QLD 4740

P: 07 4953 9100

E: salesqld@convatech.com.au

Western Australia

ABN 19 002 924 307

Unit 1/61 Mulgool Road
Malaga WA 6090

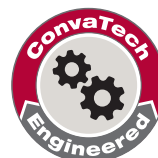
P: 08 9203 1111

E: sales@convatech.com.au

In partnership with

TSGlobal®

Leaders in Conveyor Products



www.convatech.com.au