

EXTRA HEAVY DUTY TRACKERS

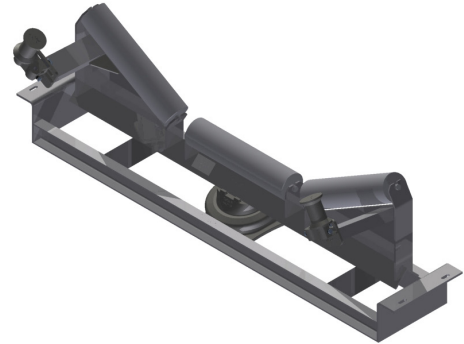
The range of ConvaTech extra heavy duty trackers are guaranteed to protect and increase the longevity of the conveyor belt by ensuring your belt tracks true.

Our tracker design focuses on improving conveyor performance. This is achieved by reducing maintenance downtime, increasing productivity attributed to belt tracking issues and minimising spillage around the head transition and loading areas.

Balancing cost effectiveness with long life functionality makes heavy duty trackers the ideal choice for your application.

Application

Suitable for all single direction conveyor belt widths.
Suitable for all iron ore or similar materials.



-  Proven Performance
-  Quality Product
-  Flexibility in Design
-  On-time Delivery
-  Australian Owned

FEATURES	BENEFITS
Actively corrects belt tracking issues	<ul style="list-style-type: none"> = Minimises damage to belt = Eliminates the need to physically adjust
Manufactured from high grade stainless steel	<ul style="list-style-type: none"> = Increases longevity in structural components
Pivots on a thrust plate	<ul style="list-style-type: none"> = Increases longevity = Ensures continual free flowing operation = Eliminates the need for greasing = Minimises potential bearing failure
Designed to allow modular assembly and installation	<ul style="list-style-type: none"> = Allows easier access into tight fitting areas = Reduces manual handling hazards
Custom made to suit specific conveyors	<ul style="list-style-type: none"> = Ensures unit will bolt directly onto structure without the need to modify = Eliminates hazards associated with site modifications
Robust design	<ul style="list-style-type: none"> = Provides structural integrity in extreme applications
Designed to accommodate site rollers	<ul style="list-style-type: none"> = Utilising existing site roller stock
Supplied with 100mm diameter heavy duty servo rollers	<ul style="list-style-type: none"> = Ensure long life under extreme conditions = Minimised risk of belt damage

Item Code	Description	Unit	Weight (kg)
50-10-003	TS Belt Tracker Extra H/Duty 1 Roll Flat Return 0900	Each	170
50-10-004	TS Belt Tracker Extra H/Duty 1 Roll Flat Return 1050	Each	180
50-10-005	TS Belt Tracker Extra H/Duty 1 Roll Flat Return 1200	Each	190
50-10-006	TS Belt Tracker Extra H/Duty 1 Roll Flat Return 1400	Each	200
50-10-007	TS Belt Tracker Extra H/Duty 1 Roll Flat Return 1500	Each	210
50-10-008	TS Belt Tracker Extra H/Duty 1 Roll Flat Return 1600	Each	250
50-10-009	TS Belt Tracker Extra H/Duty 1 Roll Flat Return 1800	Each	260
50-10-010	TS Belt Tracker Extra H/Duty 1 Roll Flat Return 2000	Each	270
50-10-011	TS Belt Tracker Extra H/Duty 1 Roll Flat Return 2200	Each	280
50-10-012	TS Belt Tracker Extra H/Duty 1 Roll Flat Return 2400	Each	290
50-10-013	TS Belt Tracker Extra H/Duty 1 Roll Flat Return 2600	Each	300
50-11-003	TS Belt Tracker Extra H/Duty 2 Roll Vee Return 0900	Each	200
50-11-004	TS Belt Tracker Extra H/Duty 2 Roll Vee Return 1050	Each	210
50-11-005	TS Belt Tracker Extra H/Duty 2 Roll Vee Return 1200	Each	220
50-11-006	TS Belt Tracker Extra H/Duty 2 Roll Vee Return 1400	Each	230
50-11-007	TS Belt Tracker Extra H/Duty 2 Roll Vee Return 1500	Each	230
50-11-008	TS Belt Tracker Extra H/Duty 2 Roll Vee Return 1600	Each	280
50-11-009	TS Belt Tracker Extra H/Duty 2 Roll Vee Return 1800	Each	290
50-11-010	TS Belt Tracker Extra H/Duty 2 Roll Vee Return 2000	Each	300
50-11-011	TS Belt Tracker Extra H/Duty 2 Roll Vee Return 2200	Each	310
50-11-012	TS Belt Tracker Extra H/Duty 2 Roll Vee Return 2400	Each	320
50-11-013	TS Belt Tracker Extra H/Duty 2 Roll Vee Return 2600	Each	330
50-12-003	TS Belt Tracker Extra H/Duty 3 Roll Trough 0900	Each	160
50-12-004	TS Belt Tracker Extra H/Duty 3 Roll Trough 1050	Each	170
50-12-005	TS Belt Tracker Extra H/Duty 3 Roll Trough 1200	Each	180
50-12-006	TS Belt Tracker Extra H/Duty 3 Roll Trough 1400	Each	190
50-12-007	TS Belt Tracker Extra H/Duty 3 Roll Trough 1500	Each	200
50-12-008	TS Belt Tracker Extra H/Duty 3 Roll Trough 1600	Each	240
50-12-009	TS Belt Tracker Extra H/Duty 3 Roll Trough 1800	Each	250
50-12-010	TS Belt Tracker Extra H/Duty 3 Roll Trough 2000	Each	260
50-12-011	TS Belt Tracker Extra H/Duty 3 Roll Trough 2200	Each	270
50-12-012	TS Belt Tracker Extra H/Duty 3 Roll Trough 2400	Each	280
50-12-013	TS Belt Tracker Extra H/Duty 3 Roll Trough 2600	Each	290

New South Wales

ABN 19 002 924 307

PO Box 126, HRMC NSW 2310
3-7 Ironbark Close, Warabrook NSW 2304

P: 02 4935 0200

E: sales@convatech.com.au

Queensland

ABN 50 119 833 831

PO Box 8, Mackay QLD 4740
25-29 Interlink Court, Mackay QLD 4740

P: 07 4953 9100

E: salesqld@convatech.com.au

Western Australia

ABN 19 002 924 307

Unit 1/61 Mulgool Road
Malaga WA 6090

P: 08 9203 1111

E: sales@convatech.com.au

In partnership with

TSGlobal®

Leaders in Conveyor Products



www.convatech.com.au