

XHD BELT CLEANER

The range of ConvaTech belt cleaners are guaranteed to reduce carry-back, safety hazards and environmental impact along the conveyor. The XHD polyurethane cleaners are top performing primary belt cleaners that handle abrasive materials and operate at high speeds. The high-grade polyurethane is the perfect option for conveyors with mechanical fasteners or where cover damage or repairs preclude the use of tungsten tips.

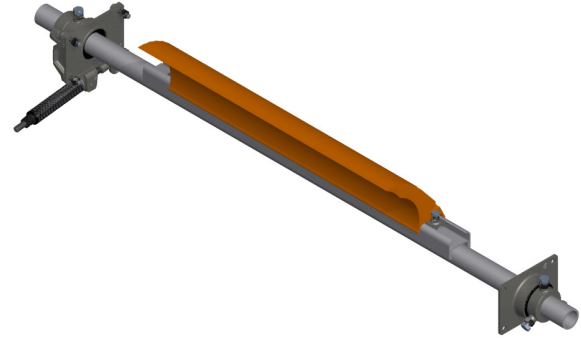
Balancing cost effectiveness with long life functionality makes this the ideal choice for your application.

Application

Installed at the head end or discharge point of any conveyor belt.

Suitable to single or bi-directional conveyors.

Suitable for use on vulcanised conveyor belts only.



-  Proven Performance
-  Quality Product
-  Flexibility in Design
-  On-time Delivery
-  Australian Owned

FEATURES	BENEFITS
Removes majority of fines, approximately 80%	= Improves performance of secondary cleaners = Fines returned to the product flow, maximising revenue
Manufactured from high grade stainless steel	= Increases longevity in structural components
Manufactured in either standard, heavy duty or super pole configuration	= Allows the duty of the cleaner to be matched to the size and speed of the conveyor
Designed with maintenance in mind	= Components maintained safely and quickly from outside the chute
Supplied with our patented wear indicators	= Clearly identifies when maintenance is required from outside the chute = Eliminates hazards of inspecting the belt cleaner while belt is operating
Choice of multiple grades of polyurethane	= Increases life expectancy of polyurethane tip = Minimises maintenance costs = Optimises performance
Components are interchangeable with most brands	= Cost savings achieved without the need to replace the cleaner
Our components are manufactured from castings with smooth rounded edges	= Ensures uniformity of product = Consistent accuracy of product improves serviceability = Reduces exposure to potential hand injuries

**Available in natural (SBR) and fire resistant anti-static (FRAS) compounds*

Item Code Standard Tungsten Blades	Item Code FRAS Tungsten Blades	Description	Unit	Overall Length (mm)	Pole Diameter (mm)	Overall Blades Width (mm)	Number of Blades	Weight (kg)
24-10-001	24-11-001	Cleaner Tuff XHD 0900 Spring Tension	Each	1900	73	800	5	66.3
24-10-002	24-11-002	Cleaner Tuff XHD 1050 Spring Tension	Each	2060	73	960	6	71.4
24-10-003	24-11-003	Cleaner Tuff XHD 1200 Spring Tension	Each	2200	73	960	6	76.4
24-10-004	24-11-004	Cleaner Tuff XHD 1400 Spring Tension	Each	2380	73	1120	7	83.5
24-10-005	24-11-005	Cleaner Tuff XHD 1500 Spring Tension	Each	2540	73	1280	8	97.6
24-10-006	24-11-006	Cleaner Tuff XHD 1600 Spring Tension	Each	2700	73	1440	9	114.7
24-10-007	24-11-007	Cleaner Tuff XHD 1800 Spring Tension	Each	2860	73	1600	10	121.8
24-10-008	24-11-008	Cleaner Tuff XHD 2000 Spring Tension	Each	3020	73	1760	11	146.9
24-10-009	24-11-009	Cleaner Tuff XHD 2200 Spring Tension	Each	3180	73	1920	12	156
24-10-010	24-11-010	Cleaner Tuff XHD 2400 Spring Tension	Each	3340	73	2080	13	165.1
24-10-011	24-11-011	Cleaner Tuff XHD 2600 Spring Tension	Each	3500	73	2240	14	174.2
24-10-020	24-11-020	Cleaner Tuff XHD 0600 Spring Tension	Each	1600	73	480	3	66.3
24-10-021	24-11-021	Cleaner Tuff XHD 0750 Spring Tension	Each	1750	73	640	4	66.3
24-17-001	24-18-001	Cleaner Tuff XHD 0900 Air Tension	Each	1900	73	800	5	65.5
24-17-002	24-18-002	Cleaner Tuff XHD 1050 Air Tension	Each	2060	73	960	6	70.5
24-17-003	24-18-003	Cleaner Tuff XHD 1200 Air Tension	Each	2200	73	960	6	75.5
24-17-004	24-18-004	Cleaner Tuff XHD 1400 Air Tension	Each	2380	73	1120	7	82.6
24-17-005	24-18-005	Cleaner Tuff XHD 1500 Air Tension	Each	2540	73	1280	8	96.7
24-17-006	24-18-006	Cleaner Tuff XHD 1600 Air Tension	Each	2700	73	1440	9	112.9
24-17-007	24-18-007	Cleaner Tuff XHD 1800 Air Tension	Each	2860	73	1600	10	120
24-17-008	24-18-008	Cleaner Tuff XHD 2000 Air Tension	Each	3020	73	1760	11	145.1
24-17-009	24-18-009	Cleaner Tuff XHD 2200 Air Tension	Each	3180	73	1920	12	154.2
24-17-010	24-18-010	Cleaner Tuff XHD 2400 Air Tension	Each	3340	73	2080	13	163.3
24-17-011	24-18-011	Cleaner Tuff XHD 2600 Air Tension	Each	3500	73	2240	14	172.4
24-17-020	24-18-020	Cleaner Tuff XHD 0600 Air Tension	Each	1600	73	480	3	65.5
24-17-021	24-18-020	Cleaner Tuff XHD 0750 Air Tension	Each	1750	73	640	4	65.5

* Available with Ceramic, Ceramic FRAS, Tuffathane, Tuffathane FRAS and Hi-Temperature blade options.
Please see TS Global distributor for part numbers and weights.

New South Wales

ABN 19 002 924 307
PO Box 126, HRMC NSW 2310
3-7 Ironbark Close, Warabrook NSW 2304
P: 02 4935 0200
E: sales@convatech.com.au

Queensland

ABN 50 119 833 831
PO Box 8, Mackay QLD 4740
25-29 Interlink Court, Mackay QLD 4740
P: 07 4953 9100
E: salesqld@convatech.com.au

Western Australia

ABN 19 002 924 307
Unit 1/61 Mulgool Road
Malaga WA 6090
P: 08 9203 1111
E: sales@convatech.com.au

In partnership with

TSGlobal®

Leaders in Conveyor Products



www.convatech.com.au