

TUFFLOCK SKIRT SYSTEM

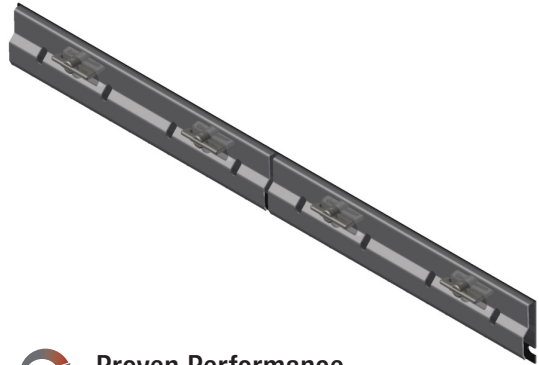
The range of ConvaTech skirting systems ensures maximum retention of dust and product within the transfer chute reducing safety hazards and environmental impact around the conveyor.

This is achieved by ensuring that the structural steel of the transfer chute remains clear of the belt, reducing the possibility of belt damage through gouging, while the skirt rubber seals the transfer.

Balancing cost effectiveness with long life functionality makes this the ideal choice for your application.

Application

All conveyor loading areas.



-  Proven Performance
-  Quality Product
-  Flexibility in Design
-  On-time Delivery
-  Australian Owned

FEATURES	BENEFITS
Manufactured from high grade stainless steel	= Increases longevity in structural components
Designed in 1.2m modules	= Allows easier access into tight fitting areas = Reduces manual handling hazards
Mechanical toggles utilised	= Quick and positive clamping into the soft skirt rubber to ensure retention
Available in standard and low profile	= Allows the skirt system to be matched to the area available for installation
Can accommodate between 10mm and 19mm thick skirt rubber	= A standardised system can be used across your site with varying rubber thicknesses

**TS Global can also supply a full range of skirting rubber*

Item Code	Description	Unit	Overall Length (mm)	Weight (kg)
30-12-001	Skirting, Tufflock assembly	Each	1200	7.2

New South Wales

ABN 19 002 924 307

PO Box 126, HRMC NSW 2310
3-7 Ironbark Close, Warabrook NSW 2304

P: 02 4935 0200

E: sales@convatech.com.au

Queensland

ABN 50 119 833 831

PO Box 8, Mackay QLD 4740
25-29 Interlink Court, Mackay QLD 4740

P: 07 4953 9100

E: salesqld@convatech.com.au

Western Australia

ABN 19 002 924 307

Unit 1/61 Mulgool Road
Malaga WA 6090

P: 08 9203 1111

E: sales@convatech.com.au

In partnership with

TSGlobal®

Leaders in Conveyor Products



www.convatech.com.au