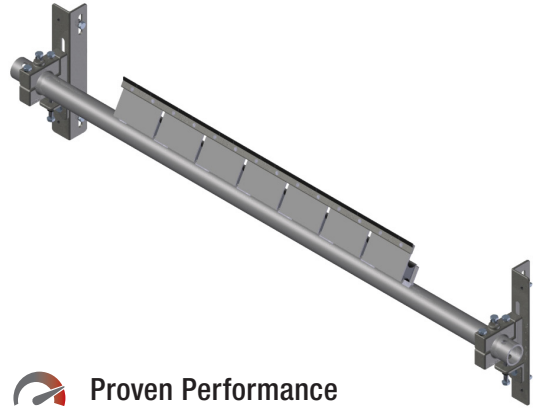


▶ P TUNGSTEN BELT CLEANER

The range of ConvaTech belt cleaners are guaranteed to reduce carry-back, safety hazards and environmental impact along the conveyor. While it can be used as an individual belt cleaner, best results are achieved when it is installed as part of a complete cleaning system. Working in conjunction with a primary cleaner, the P belt cleaner removes the fine residue left behind by the primary cleaner. You can choose to install a P belt cleaner with or without water sprays – either way the results are impressive.

Application

Installed at the head end or discharge point of any conveyor belt.
Suitable to single directional conveyors only.
Suitable for use on vulcanised conveyor belts only.



-  Proven Performance
-  Quality Product
-  Flexibility in Design
-  On-time Delivery
-  Australian Owned

FEATURES	BENEFITS
Performs final cleaning ensuring up to 98% of fines are removed	= Fines are returned to the product flow, maximising revenue
Manufactured from high grade stainless steel	= Increases longevity in structural components
Manufactured in either standard, heavy duty or super pole configuration	= Allows the duty of the cleaner to be matched to the size and speed of the conveyor
Supplied with bolt on tungsten tips	= Allows alignment of cleaning elements to deliver optimum performance
	= Increases life expectancy of tungsten tip
	= Minimises maintenance costs
Choice of high grade tungsten tip thickness	= Increases life expectancy of tungsten tip
	= Minimises maintenance costs
	= Optimises performance
Our components are interchangeable with most brands	= Cost savings achieved without the need to replace the cleaner
Supplied with unique two piece clamping system	= Allows the pole to be supported while removing cleaner
Our components are manufactured from castings with smooth rounded edges	= Ensures uniformity of product
	= Consistent accuracy of product improves serviceability
	= Reduces exposure to potential hand injuries

Item Code	Description	Unit	Overall Length (mm)	Pole Diameter (mm)	Overall Blades Width (mm)	Number of Blades	Weight (kg)
14-10-001	Cleaner P 0450 Tungsten	Each	1250	48	450	3	18
14-10-002	Cleaner P 0600 Tungsten	Each	1350	48	600	4	20
14-10-003	Cleaner P 0750 Tungsten	Each	1500	48	750	5	22
14-10-004	Cleaner P 0900 Tungsten	Each	1650	60	900	6	27
14-10-005	Cleaner P 1050 Tungsten	Each	1800	60	1050	7	30
14-10-006	Cleaner P 1200 Tungsten	Each	1950	73	1200	8	40
14-10-007	Cleaner P 1400 Tungsten	Each	2200	73	1350	9	44
14-10-008	Cleaner P 1500 Tungsten	Each	2350	73	1500	10	46
14-10-009	Cleaner P 1600 Tungsten	Each	2500	73	1500	10	47
14-10-010	Cleaner P 1800 Tungsten	Each	2650	73	1800	12	52.2
14-11-001	Cleaner P 1050 Tungsten Reinforced Pole	Each	1800	60	1050	7	50
14-11-002	Cleaner P 1200 Tungsten Reinforced Pole	Each	1950	73	1200	8	54.2
14-11-003	Cleaner P 1400 Tungsten Reinforced Pole	Each	2200	73	1350	9	59
14-11-004	Cleaner P 1500 Tungsten Reinforced Pole	Each	2350	73	1500	10	60
14-11-005	Cleaner P 1600 Tungsten Reinforced Pole	Each	2500	73	1500	10	61
14-11-006	Cleaner P 1800 Tungsten Reinforced Pole	Each	2650	73	1800	12	75.7
14-11-007	Cleaner P 2000 Tungsten Reinforced Pole	Each	2950	73	1950	13	82.8
14-11-008	Cleaner P 2200 Tungsten Reinforced Pole	Each	3100	73	2100	14	90.3
14-11-009	Cleaner P 2500 Tungsten Reinforced Pole	Each	3400	73	2400	16	95.8

New South Wales

ABN 19 002 924 307

PO Box 126, HRMC NSW 2310
3-7 Ironbark Close, Warabrook NSW 2304

P: 02 4935 0200

E: sales@convatech.com.au

Queensland

ABN 50 119 833 831

PO Box 8, Mackay QLD 4740
25-29 Interlink Court, Mackay QLD 4740

P: 07 4953 9100

E: salesqld@convatech.com.au

Western Australia

ABN 19 002 924 307

Unit 1/61 Mulgool Road
Malaga WA 6090

P: 08 9203 1111

E: sales@convatech.com.au

In partnership with

TSGlobal®

Leaders in Conveyor Products



www.convatech.com.au