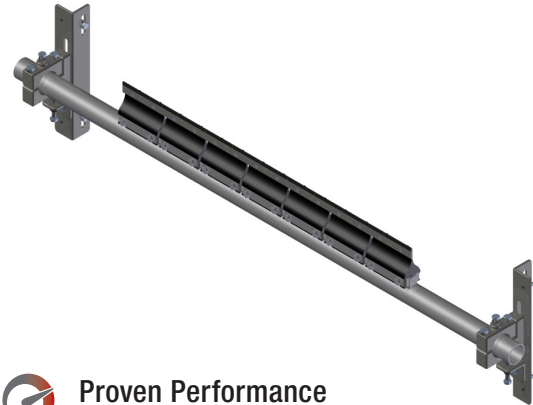


R TUNGSTEN BELT CLEANER

The range of ConvaTech belt cleaners are guaranteed to reduce carry-back, safety hazards and environmental impact along the conveyor. While it can be used as an individual belt cleaner, best results are achieved when it is part of a complete cleaning system. Working in conjunction with a primary cleaner, the R belt cleaner removes the fine residue left behind by the primary cleaner. You can choose to install the R belt cleaner with or without water sprays – either way the results are impressive.

Application

Installed at the head end or discharge point of any conveyor belt.
 Suitable to single or bi-directional conveyors.
 Suitable for use on vulcanised conveyor belts only.



-  Proven Performance
-  Quality Product
-  Flexibility in Design
-  On-time Delivery
-  Australian Owned

FEATURES	BENEFITS
Performs final cleaning ensuring up to 98% of fines are removed	= Fines returned to the product flow, maximising revenue
Manufactured from high grade stainless steel	= Increases longevity in structural components
Manufactured in either standard, heavy duty or super pole configuration	= Allows the duty of the cleaner to be matched to the size and speed of the conveyor
Supplied with bolt-on tungsten tips	= Allows alignment of cleaning elements to deliver optimum performance
	= Increases life expectancy of tungsten tip
	= Minimises maintenance costs
Choice of high grade tungsten tip thickness	= Increases life expectancy of tungsten tip
	= Minimises maintenance costs
	= Optimises performance
Our components are interchangeable with most brands	= Cost savings achieved without the need to replace the cleaner
Supplied with unique two piece clamping system	= Allows the pole to be supported while removing cleaner
Our components are manufactured from castings with smooth rounded edges	= Ensures uniformity of product
	= Consistent accuracy of product improves serviceability
	= Reduces exposure to potential hand injuries

Item Code	Description	Unit	Overall Length (mm)	Pole Diameter (mm)	Overall Blades Width (mm)	Number of Blades	Weight (kg)
15-10-001	Cleaner R 0450 Tungsten	Each	1250	48	450	3	19
15-10-002	Cleaner R 0600 Tungsten	Each	1350	48	600	4	21
15-10-003	Cleaner R 0750 Tungsten	Each	1500	48	750	5	23
15-10-004	Cleaner R 0900 Tungsten	Each	1650	60	900	6	28
15-10-005	Cleaner R 1050 Tungsten	Each	1800	60	1050	7	29
15-10-006	Cleaner R 1200 Tungsten	Each	1950	73	1200	8	41
15-10-007	Cleaner R 1400 Tungsten	Each	2200	73	1350	9	45
15-10-008	Cleaner R 1500 Tungsten	Each	2350	73	1500	10	47
15-10-009	Cleaner R 1600 Tungsten	Each	2500	73	1500	10	48
15-10-010	Cleaner R 1800 Tungsten	Each	2650	73	1800	12	53.2
15-11-001	Cleaner R 1050 Tungsten Reinforced Pole	Each	1800	60	1050	7	51
15-11-002	Cleaner R 1200 Tungsten Reinforced Pole	Each	1950	73	1200	8	55.2
15-11-003	Cleaner R 1400 Tungsten Reinforced Pole	Each	2200	73	1350	9	60
15-11-004	Cleaner R 1500 Tungsten Reinforced Pole	Each	2350	73	1500	10	61
15-11-005	Cleaner R 1600 Tungsten Reinforced Pole	Each	2500	73	1500	10	62
15-11-006	Cleaner R 1800 Tungsten Reinforced Pole	Each	2650	73	1800	12	76.7
15-11-007	Cleaner R 2000 Tungsten Reinforced Pole	Each	2950	73	1950	13	83.8
15-11-008	Cleaner R 2200 Tungsten Reinforced Pole	Each	3100	73	2100	14	91.3
15-11-009	Cleaner R 2500 Tungsten Reinforced Pole	Each	3400	73	2400	16	96.8

New South Wales

ABN 19 002 924 307

PO Box 126, HRMC NSW 2310
3-7 Ironbark Close, Warabrook NSW 2304

P: 02 4935 0200

E: sales@convatech.com.au

Queensland

ABN 50 119 833 831

PO Box 8, Mackay QLD 4740
25-29 Interlink Court, Mackay QLD 4740

P: 07 4953 9100

E: salesqld@convatech.com.au

Western Australia

ABN 19 002 924 307

Unit 1/61 Mulgool Road
Malaga WA 6090

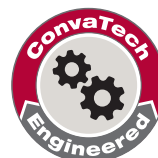
P: 08 9203 1111

E: sales@convatech.com.au

In partnership with

TSGlobal®

Leaders in Conveyor Products



www.convatech.com.au